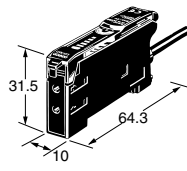
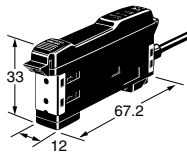
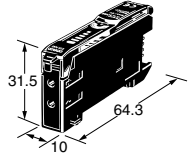
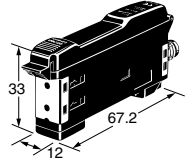





■ Photoelectric Sensors
 Classified According to Product Model
 Fiber Amplifiers with Adjustors and Cables

Appearance	Classification	Control output	Model	
			Output configuration	
			NPN output	PNP output
	General purpose	• ON/OFF output	E3X-NA11	E3X-NA41
	High-speed detection		E3X-NA11F <i>NEW</i>	E3X-NA41F <i>NEW</i>
	Mark detection		E3X-NAG11	E3X-NAG41
	Water resistant		E3X-NA11V <i>NEW</i>	E3X-NA41V <i>NEW</i>

Fiber Amplifiers with Adjustors and Connectors

Appearance	Classification	Applicable Connector (order separately)		Control output	Model	
		Output configuration				
		NPN output	PNP output			
	General purpose	Master	E3X-CN11	• ON/OFF output	E3X-NA6	E3X-NA8
		Slave	E3X-CN12			
	Water resistant (M8 connector)	XS3F-M421-40□-A XS3F-M422-40□-A			E3X-NA14V <i>NEW</i>	E3X-NA44V <i>NEW</i>

Network Communication Units for Fiber Amplifier Sensors

Appearance	Communications method	Features	Connectable Fiber Amplifiers	Model
	DeviceNet			E3X-DRT21
	CompoBus/S	<ul style="list-style-type: none"> Equipped with connector for wiring and space reductions. Connection possible for up to 16 Units (14 Units with CompoBus/S model). 	E3X-DA□6 E3X-DA□8 E3X-DA6□ E3X-DA8TW E39-TM1	E3X-SRT21
	RS-422			E3X-CIF11